

SIRUBA®

銀爺牌工業用縫紉機

INDUSTRIAL SEWING MACHINE

L819

WITH TRIMMER

零件圖 PARTS LIST



From the library of: Diamond Needle Corp

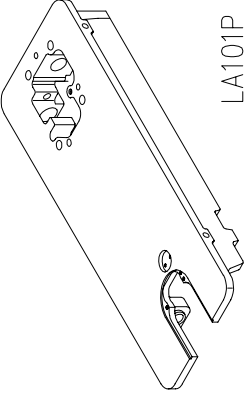

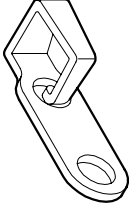
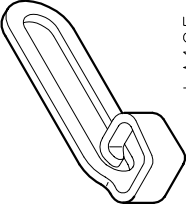
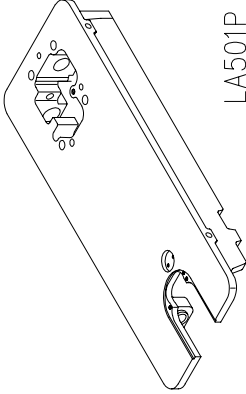

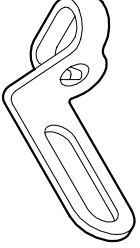
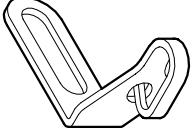
CE

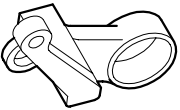





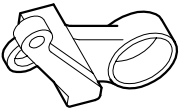




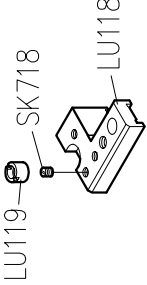


高林股份有限公司
KAULIN MFG. CO., LTD.

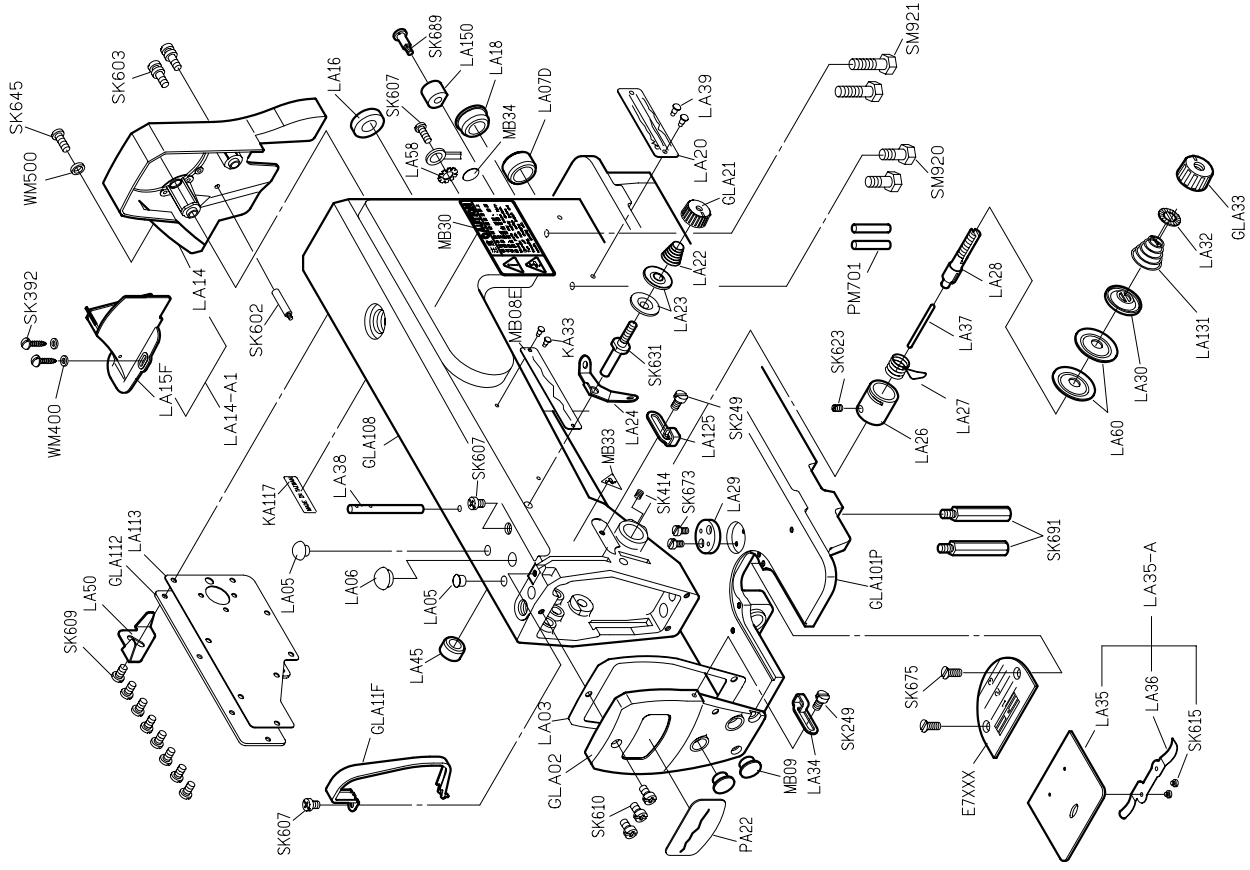
MODEL	SUB-CLASS	OPERATING PANEL	NEEDLE PLATE	FEED DOG	PRESSER FOOT	HOOK ASM	BOBBIN CASE ASM	BOBBIN	NEEDLE	HAND WHEEL
機型	規格	操作盒	針板	送具	押具	梭頭	梭殼	梭子	針號	皮帶輪
L819-X1-00	厚 布 料	—	E702	D702	P711/P712	G122J	G202	G301	DB*1#21	GLH101-A1
L819-X1-03			E702	D702	P711/P712	G122J	G202	G301	DB*1#21	GLH101-A1
L819-X1-03P			E702	D702	P711/P712	G122J	G202	G301	DB*1#21	GLH101Q-A1
L819-X1-10		C-60M	C-60M	E702	D702	P711/P712	G122J	G202	DB*1#21	GLH101Q-A1
L819-X1-13				E702	D702	P711/P712	G132	G205	G304	DB*1#21
L819-X1-13P		C-60M	C-60M	E702	D702	P711/P712	G132	G205	DB*1#21	GLH101-A1
L819-X2-00				E702	D702	P711/P712	G132	G205	G304	DB*1#21
L819-X2-03		C-60M	C-60M	E702	D702	P711/P712	G132	G205	DB*1#21	GLH101-A1
L819-X2-03P				E702	D702	P711/P712	G132	G205	G304	DB*1#21
L819-X2-10		C-60M	C-60M	E702	D702	P711/P712	G132	G205	DB*1#21	GLH101Q-A1
L819-X2-13				E702	D702	P711/P712	G132	G205	G304	DB*1#21
L819-X2-13P				E702	D702	P711/P712	G132	G205	DB*1#21	GLH101Q-A1

型別件對照表 MODEL COMPARE LIST-1

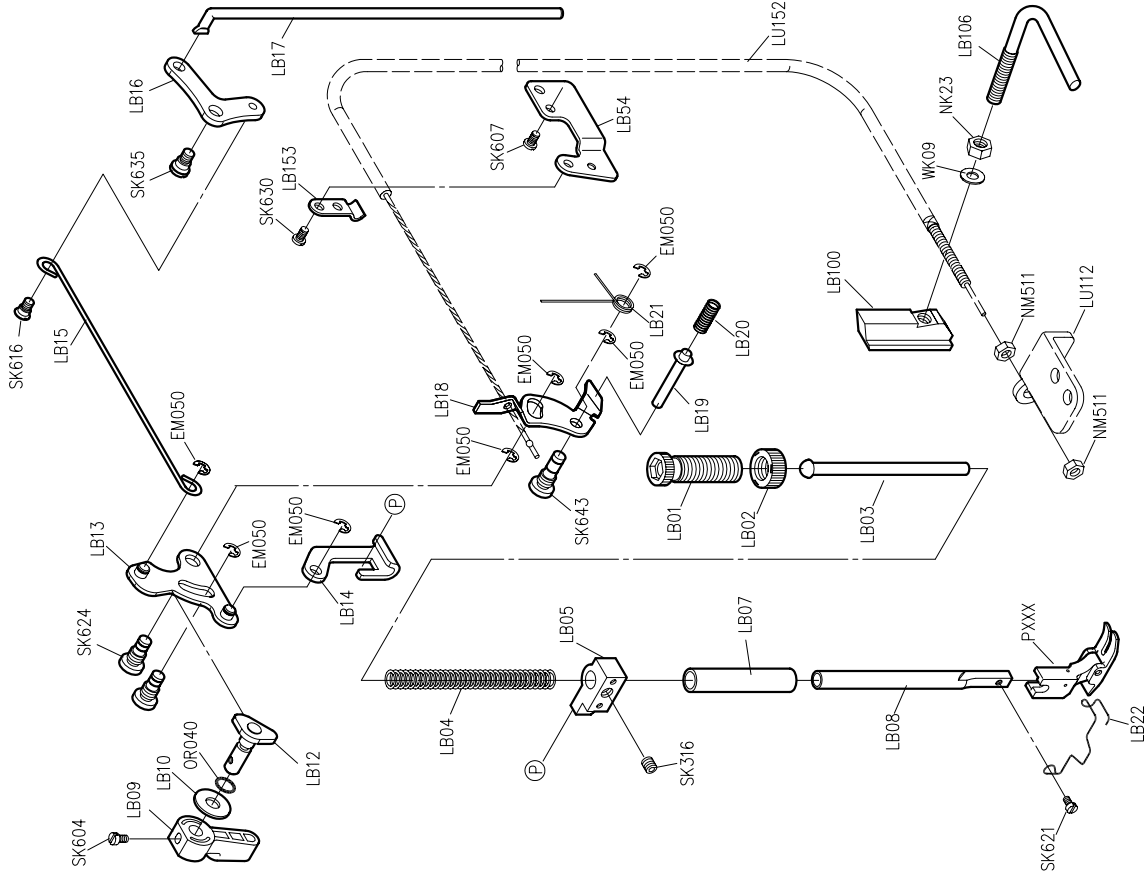
X1	 <p>LA101P</p>	 <p>LA11F</p>	 <p>LA34</p>	 <p>LA125</p>
X2	 <p>LA501P</p>	 <p>LA511</p>	 <p>YA24</p>	 <p>YA25</p>

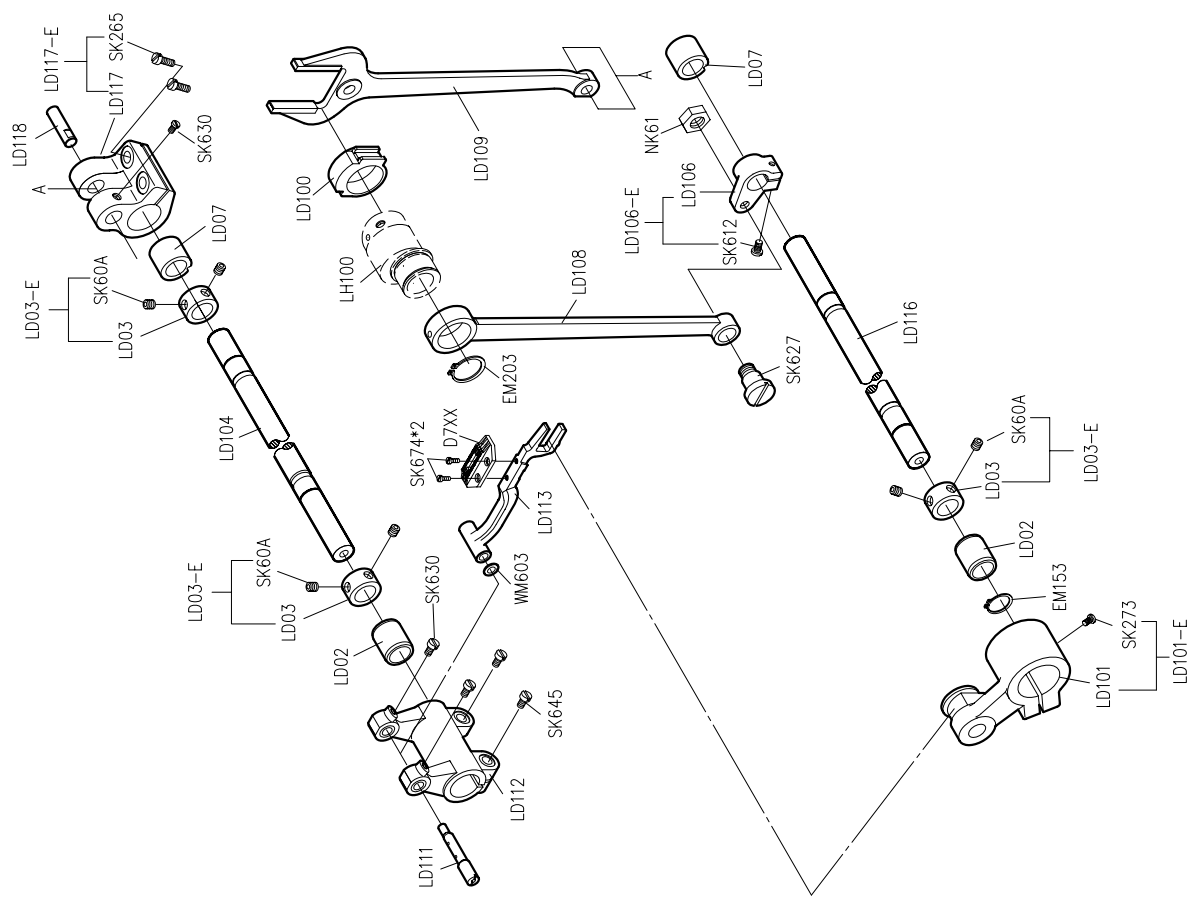
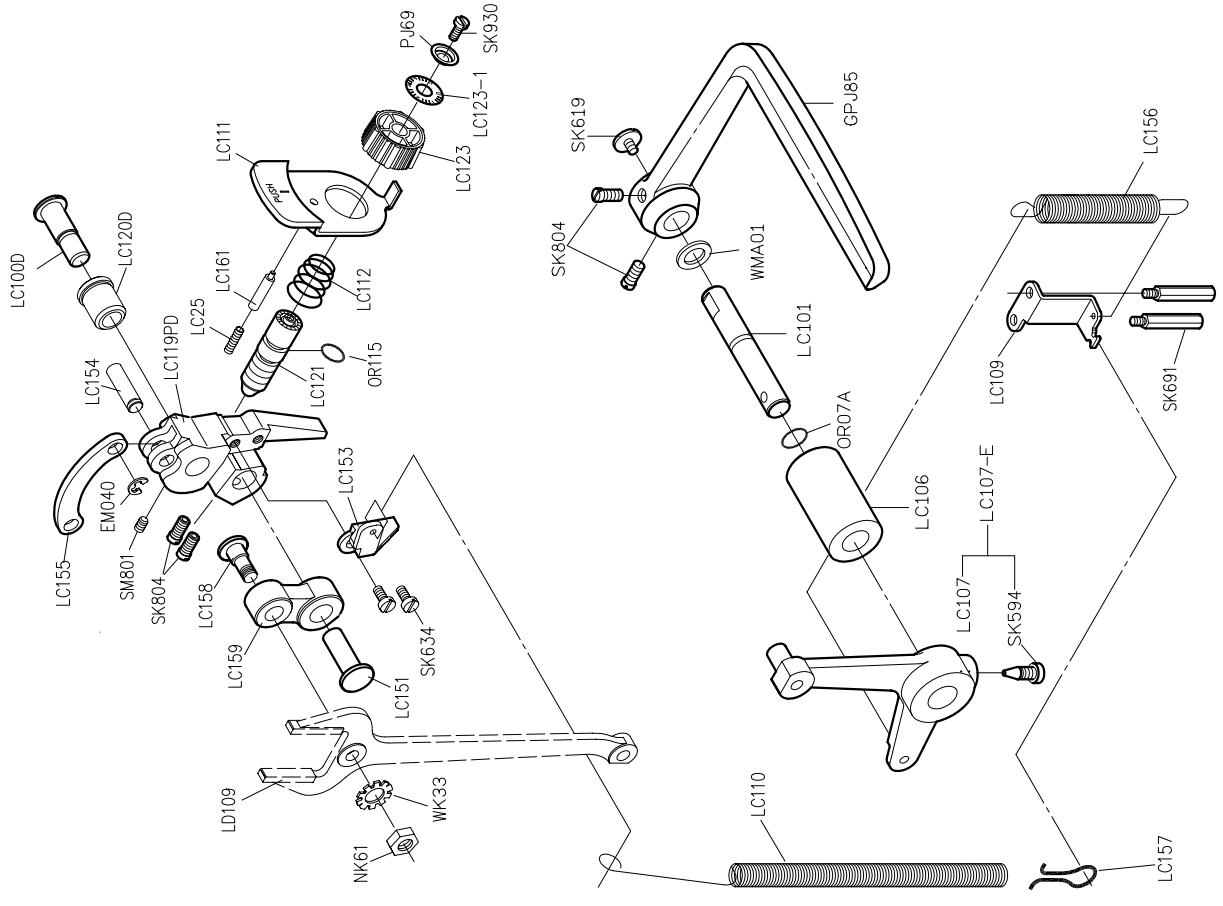
X1	 <p>LG113</p>	 <p>LU100D</p>	 <p>LU701</p>	 <p>LU102</p>	 <p>LU711</p>	 <p>LU118D</p>
X2	 <p>LG513</p>	 <p>LU500</p>	 <p>LU501</p>	 <p>LU502</p>	 <p>LU503</p>	 <p>LU119 SK718 LU118</p>

PARTS LIST FOR LA GROUP



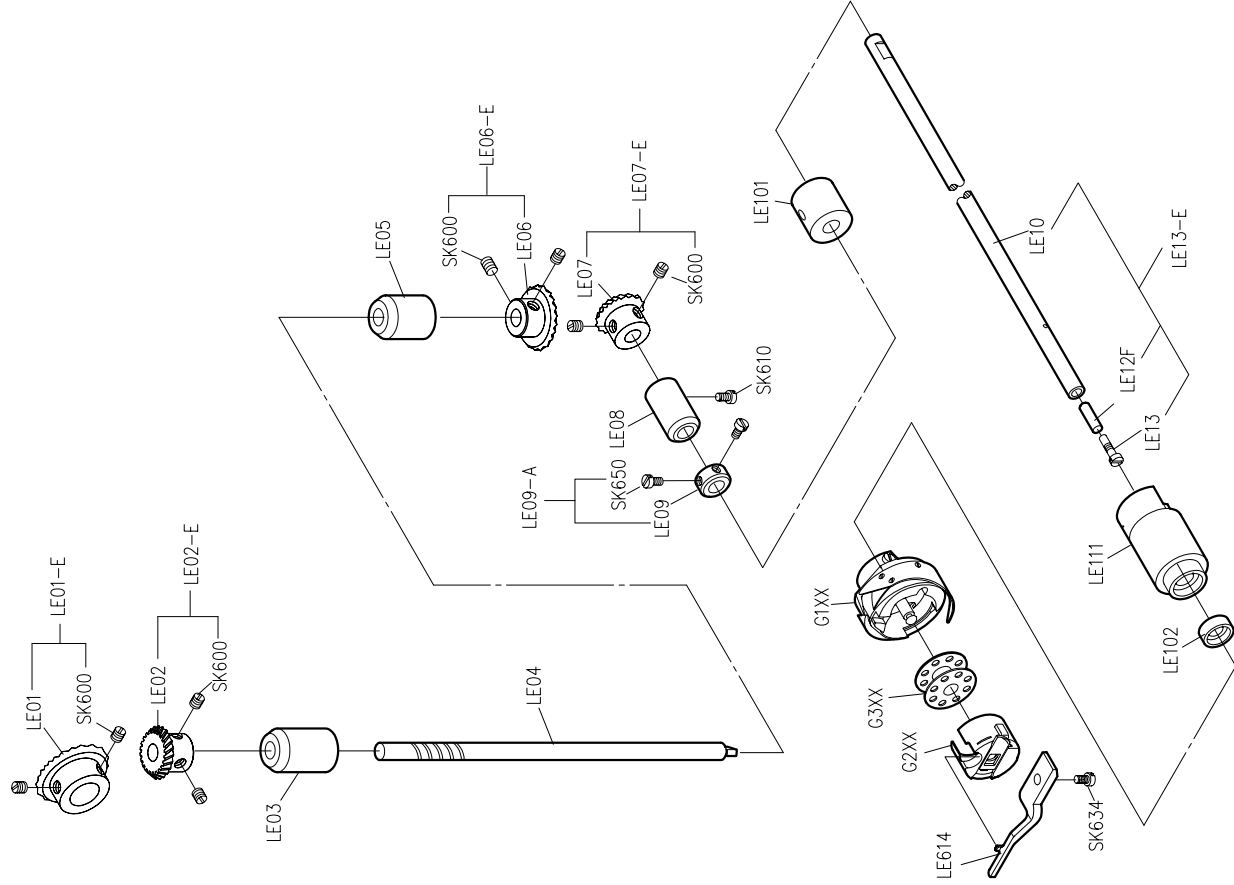
PARTS LIST FOR LB GROUP



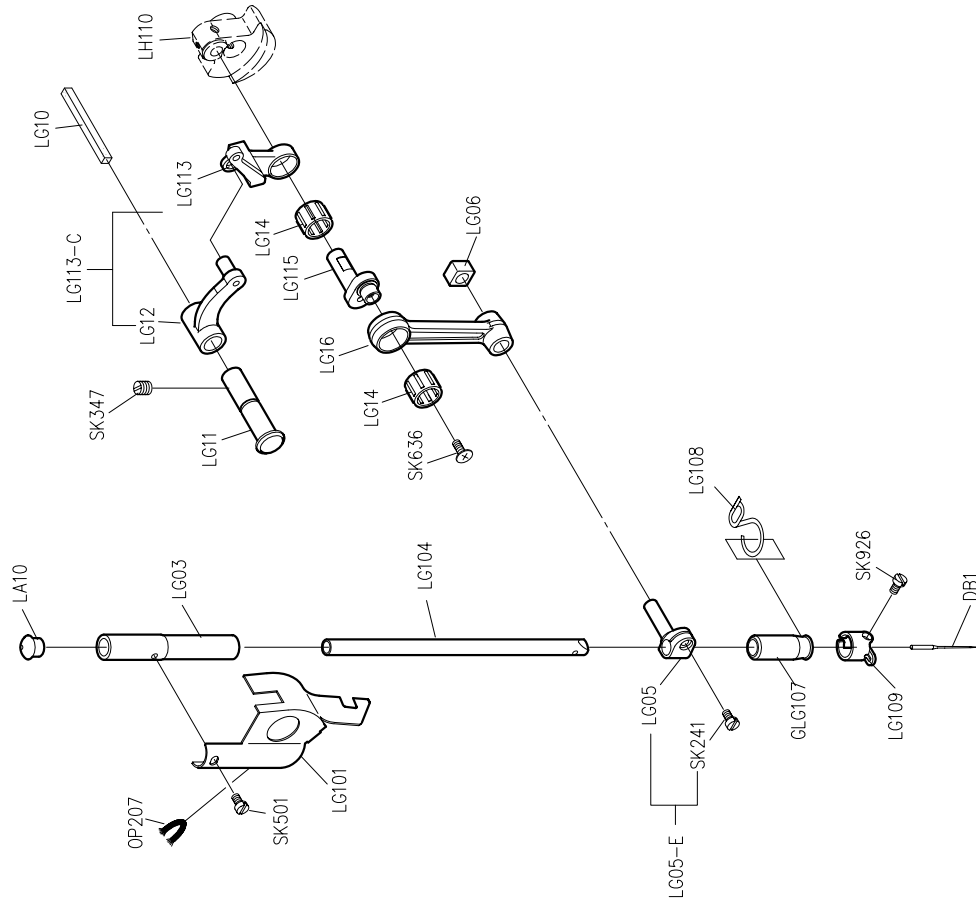


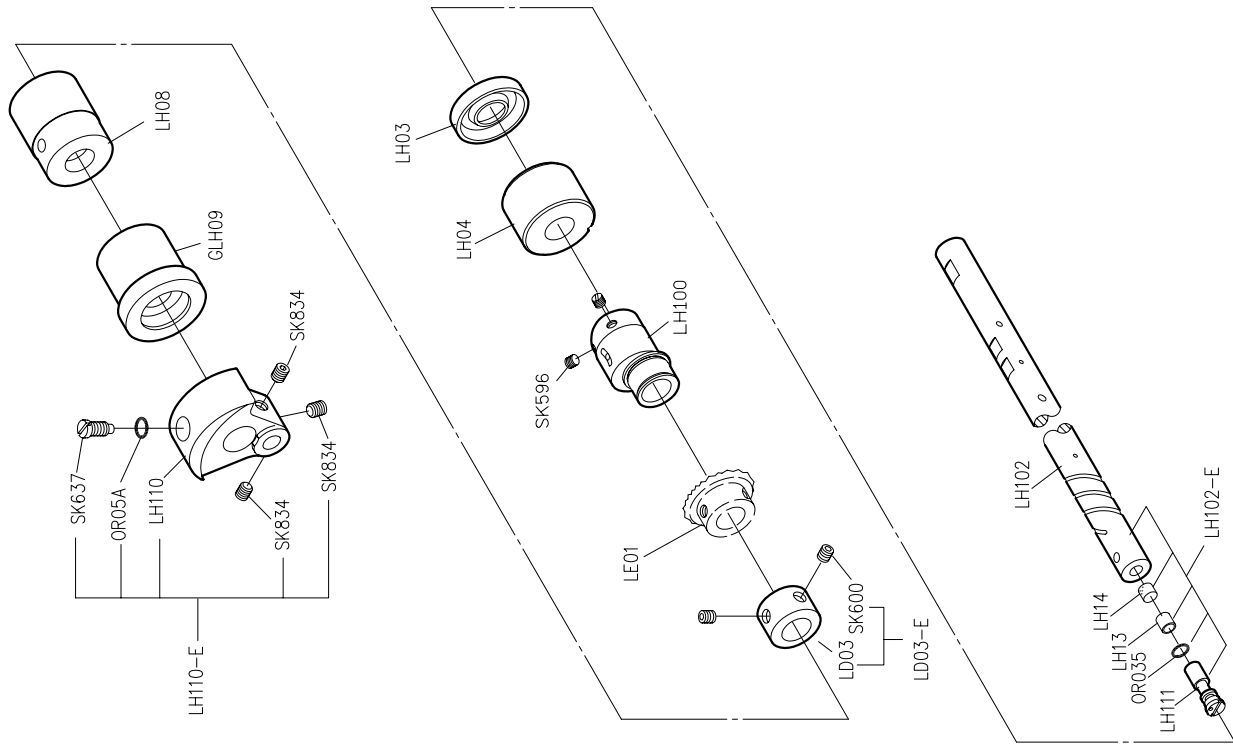
PARTS LIST FOR LC GROUP From the library of: **Diamond Needle Co** **PARTS LIST FOR LD GROUP**

PARTS LIST FOR LE GROUP



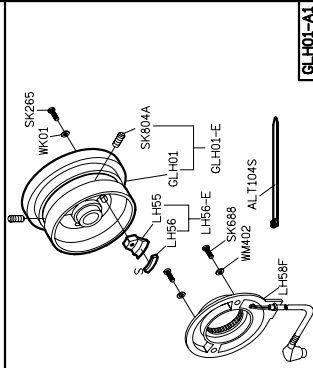
PARTS LIST FOR LG GROUP



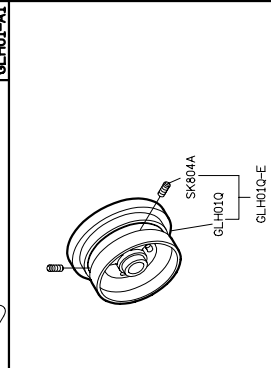


H 廠牌馬達

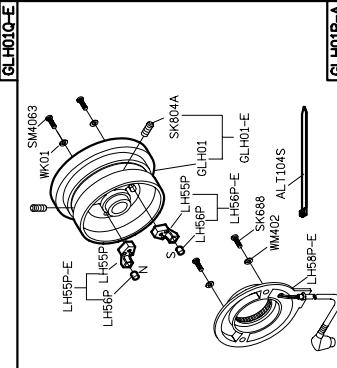
擺動式切刀



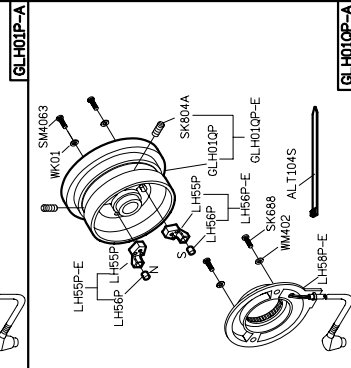
其他廠牌馬達 (可加後拉輪)



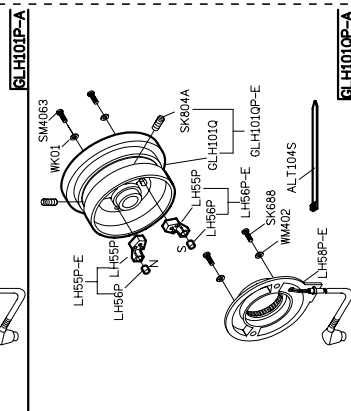
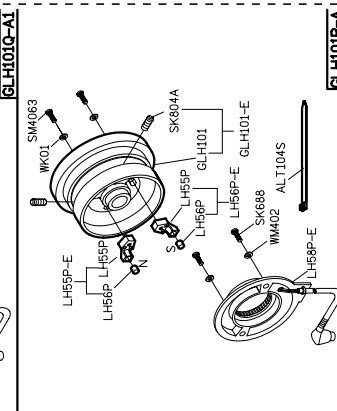
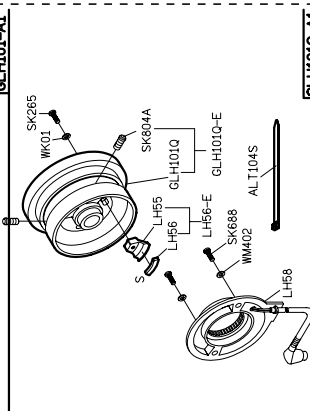
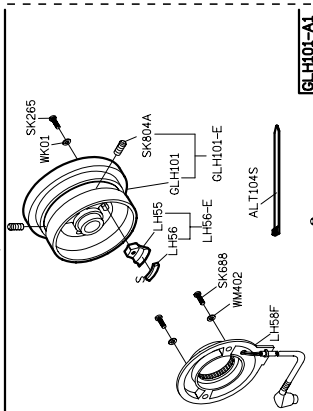
P 廠牌馬達



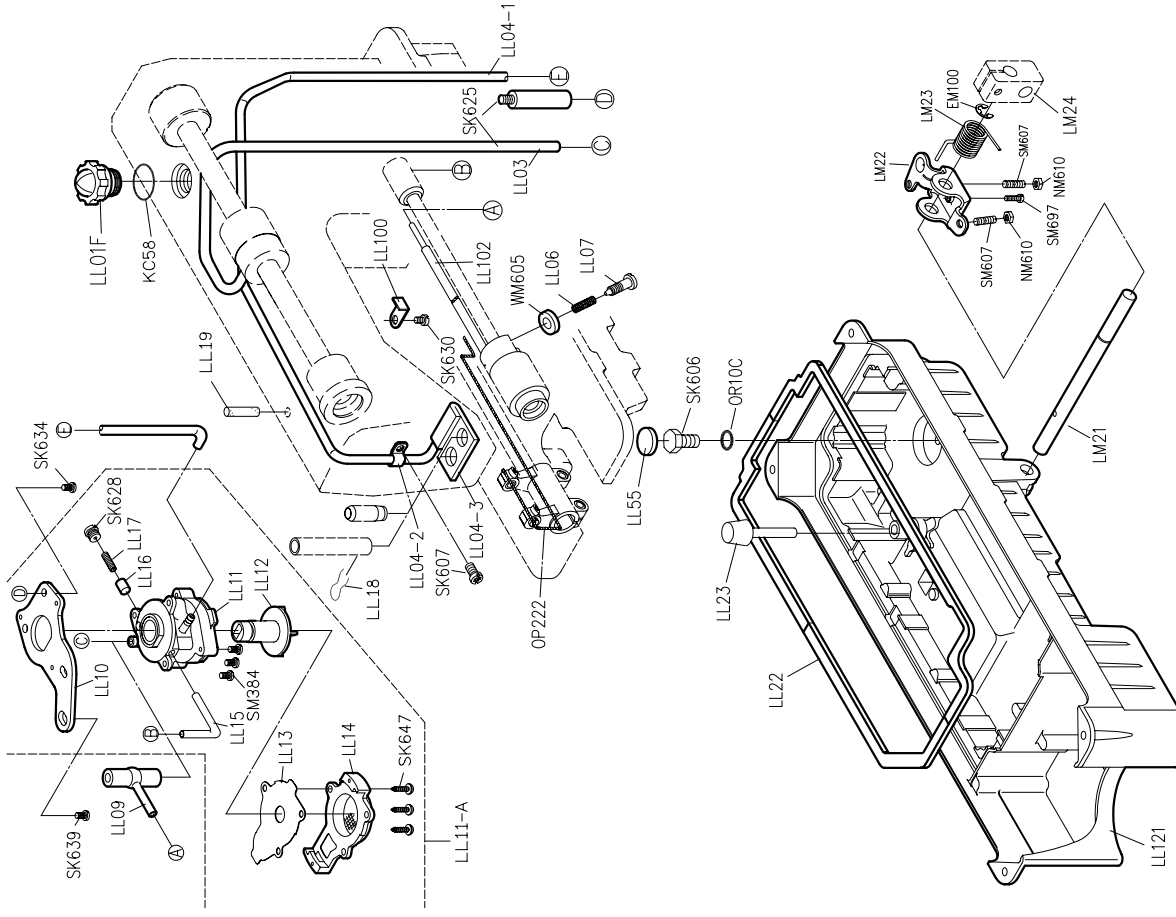
P 廠牌馬達 (可加後拉輪)



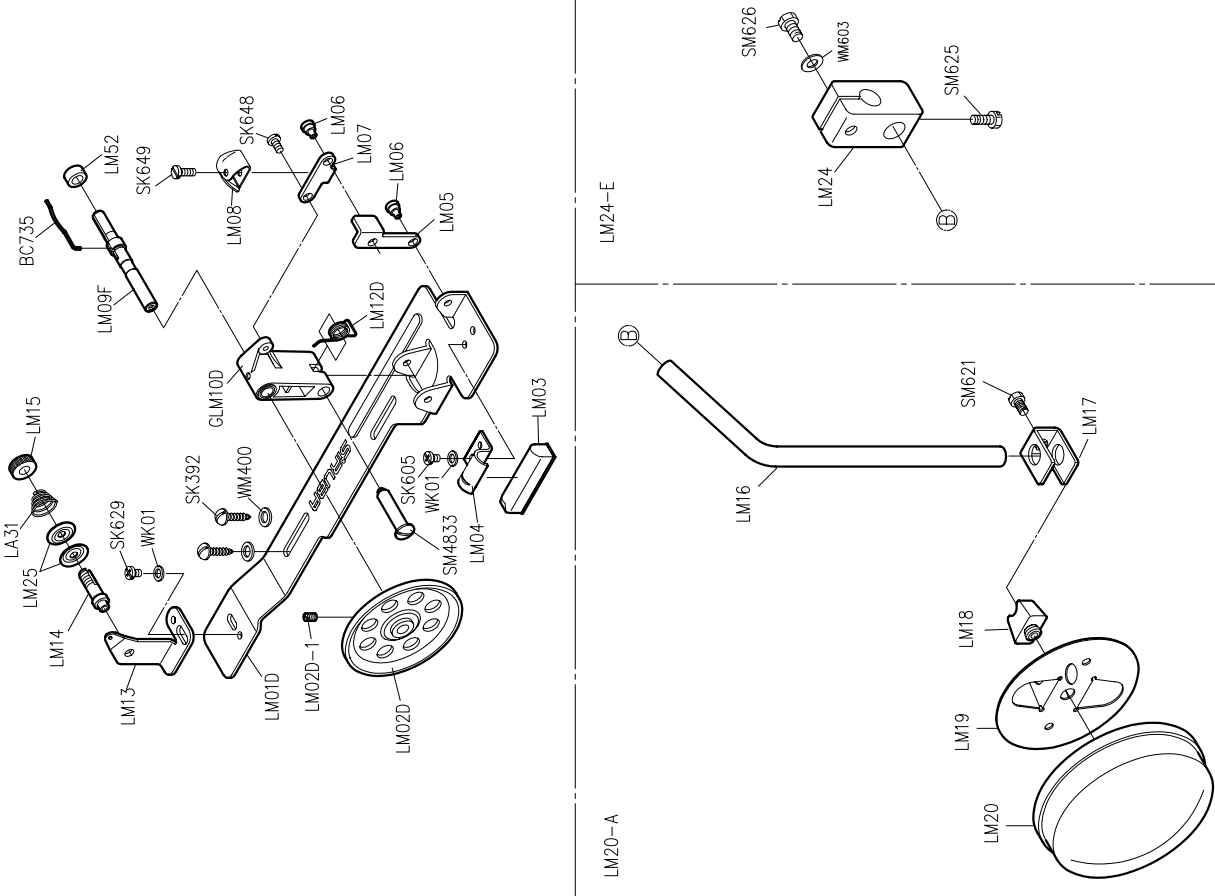
旋轉式切刀

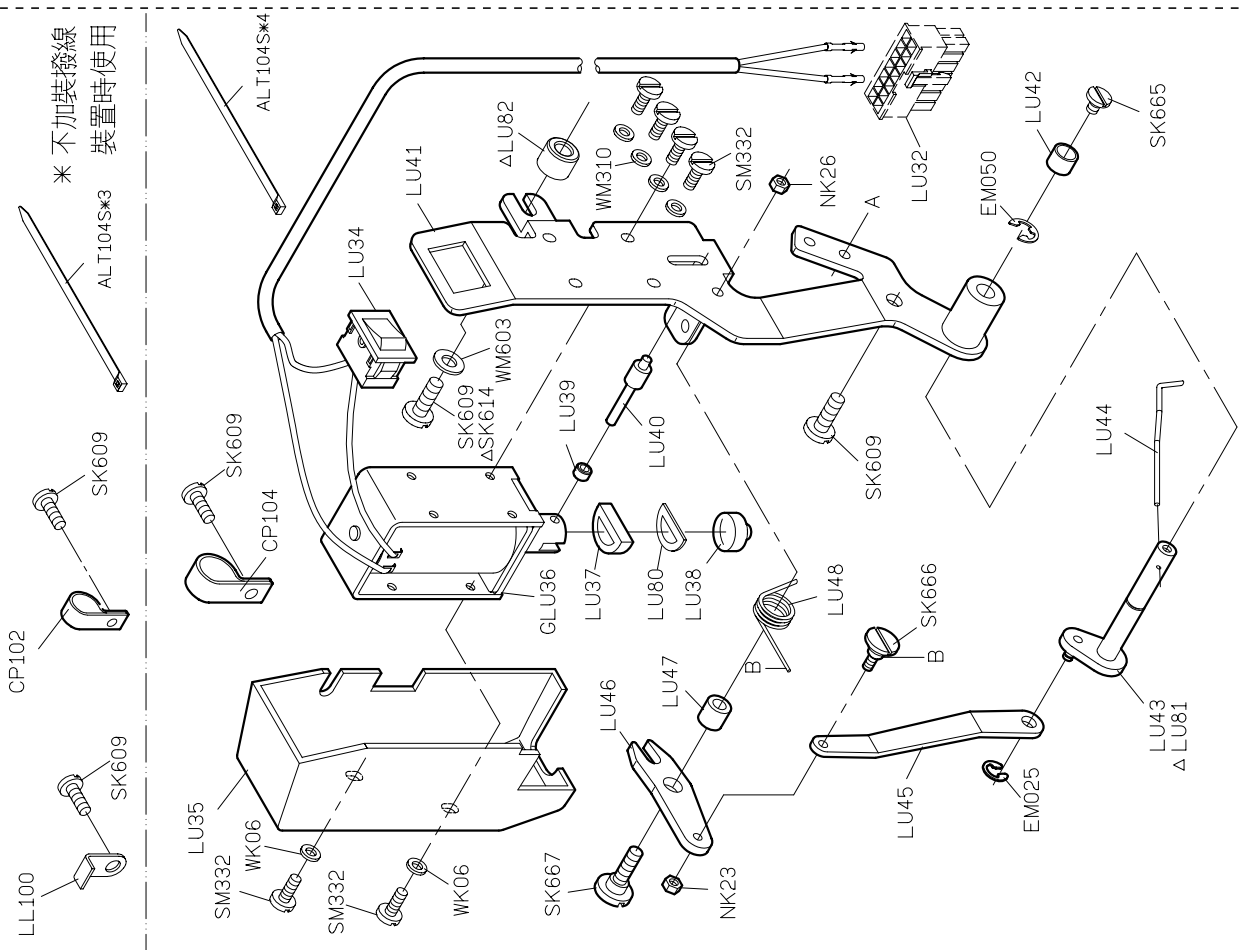
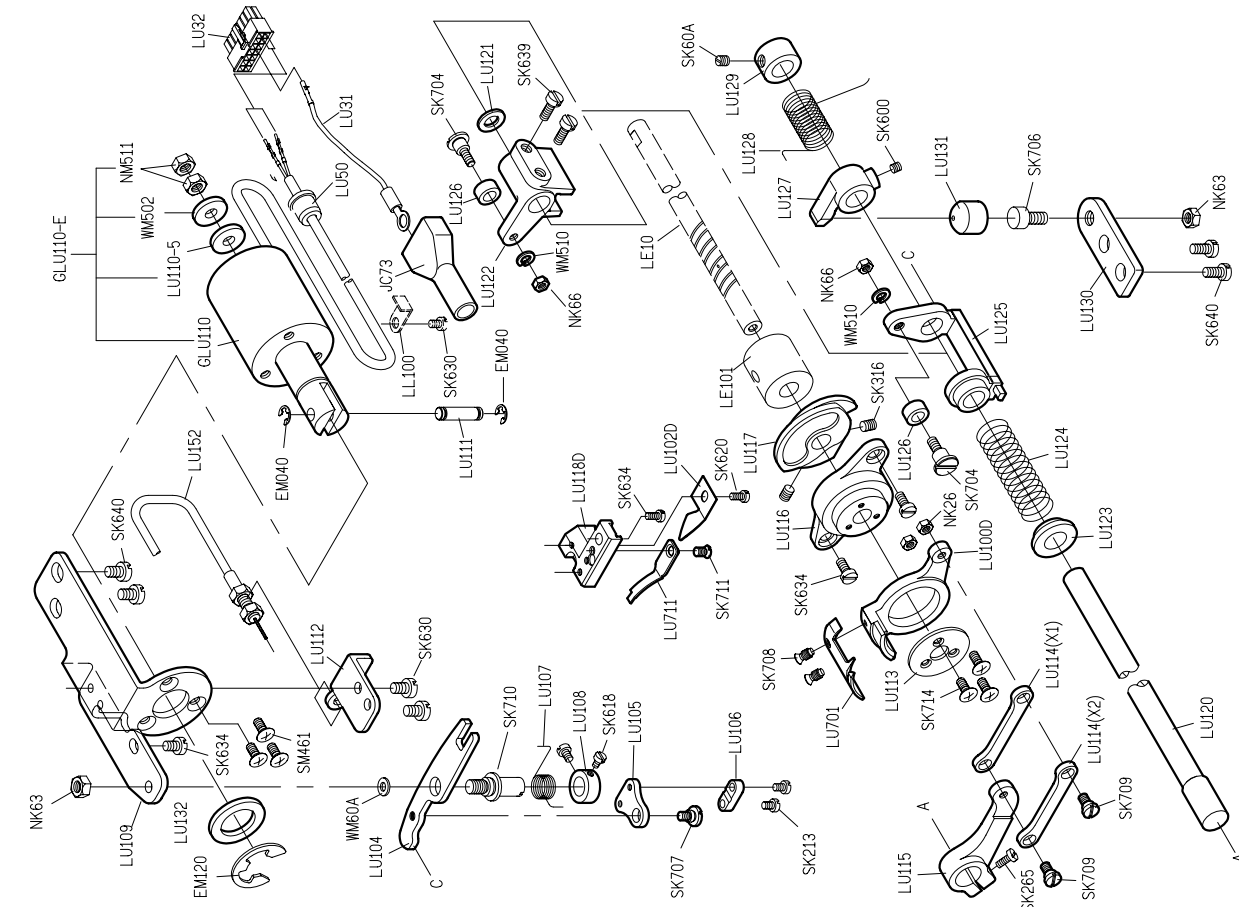


PARTS LIST FOR LL GROUP



PARTS LIST FOR LM GROUP

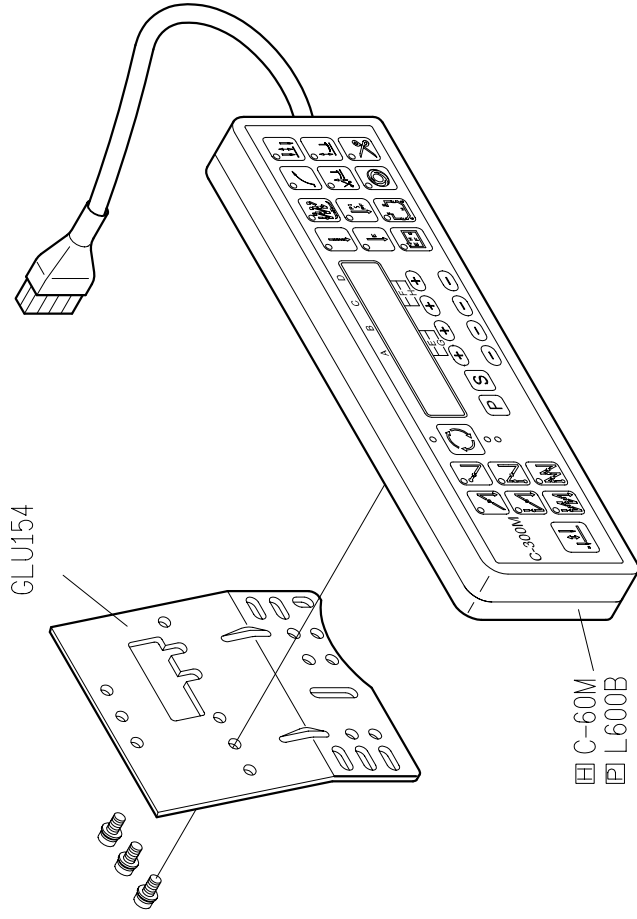
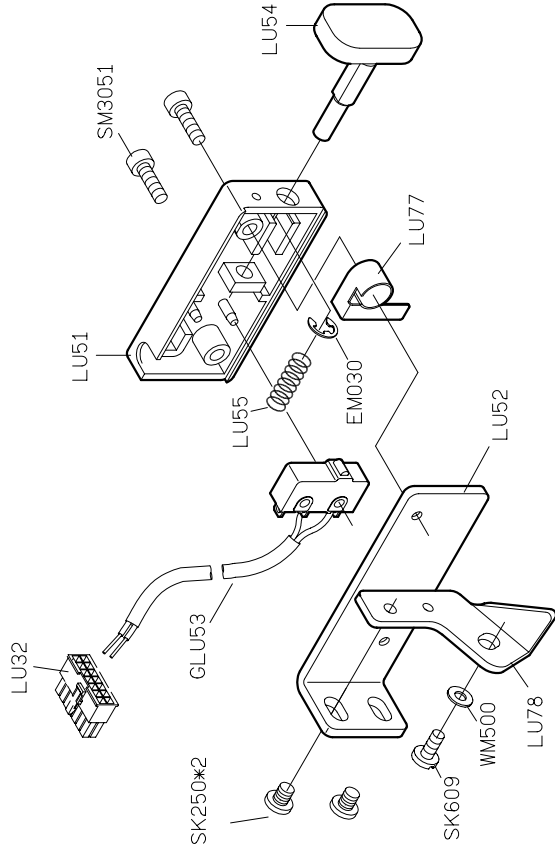




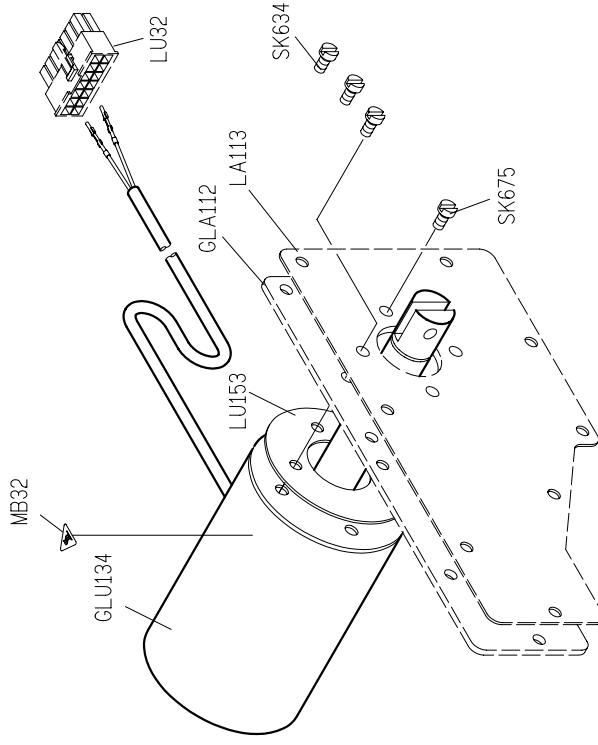
LL100
SK609
CP102
SK609
ALT104S*3
* 不加裝撥線
裝置時使用
ALT104S*4

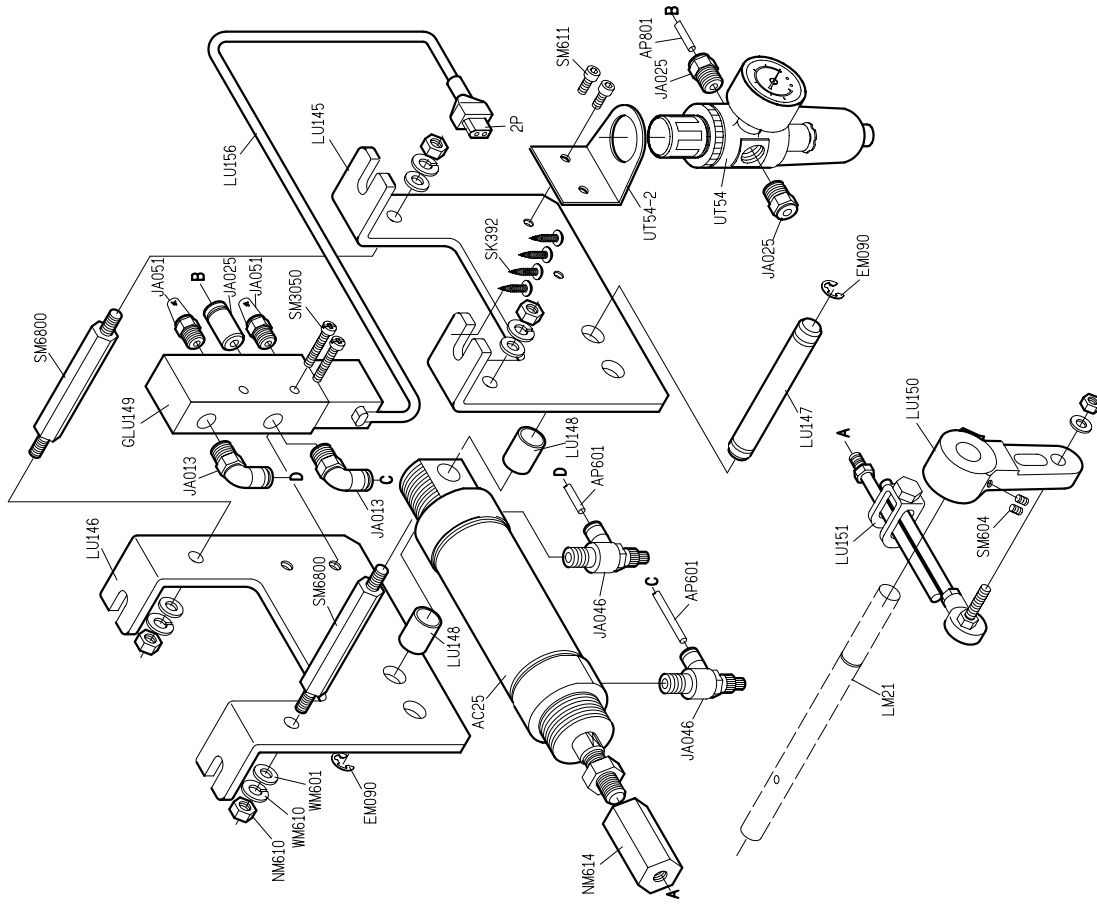
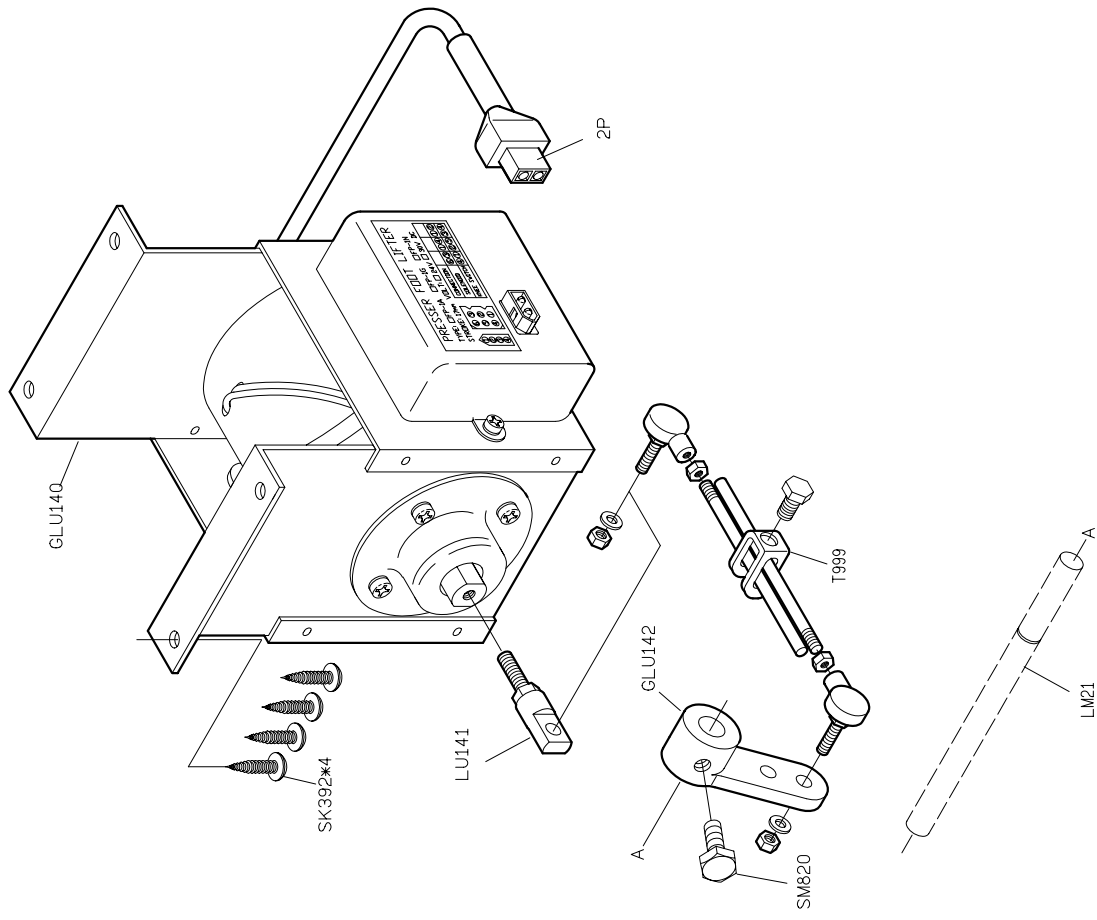
△ FOR L818F-NF TRIMMER

PARTS LIST FOR LU (1) GROUP in the library of: Diamond Needle PARTS LIST FOR LU (2) GROUP

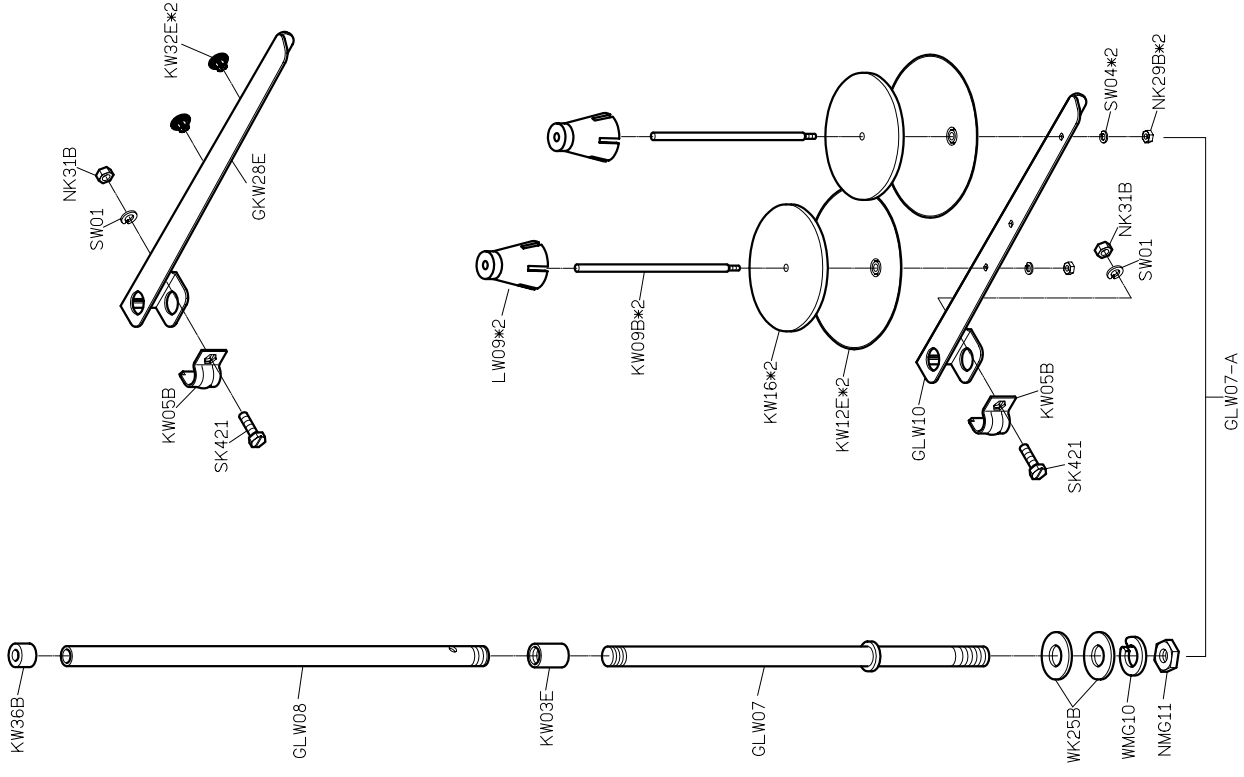
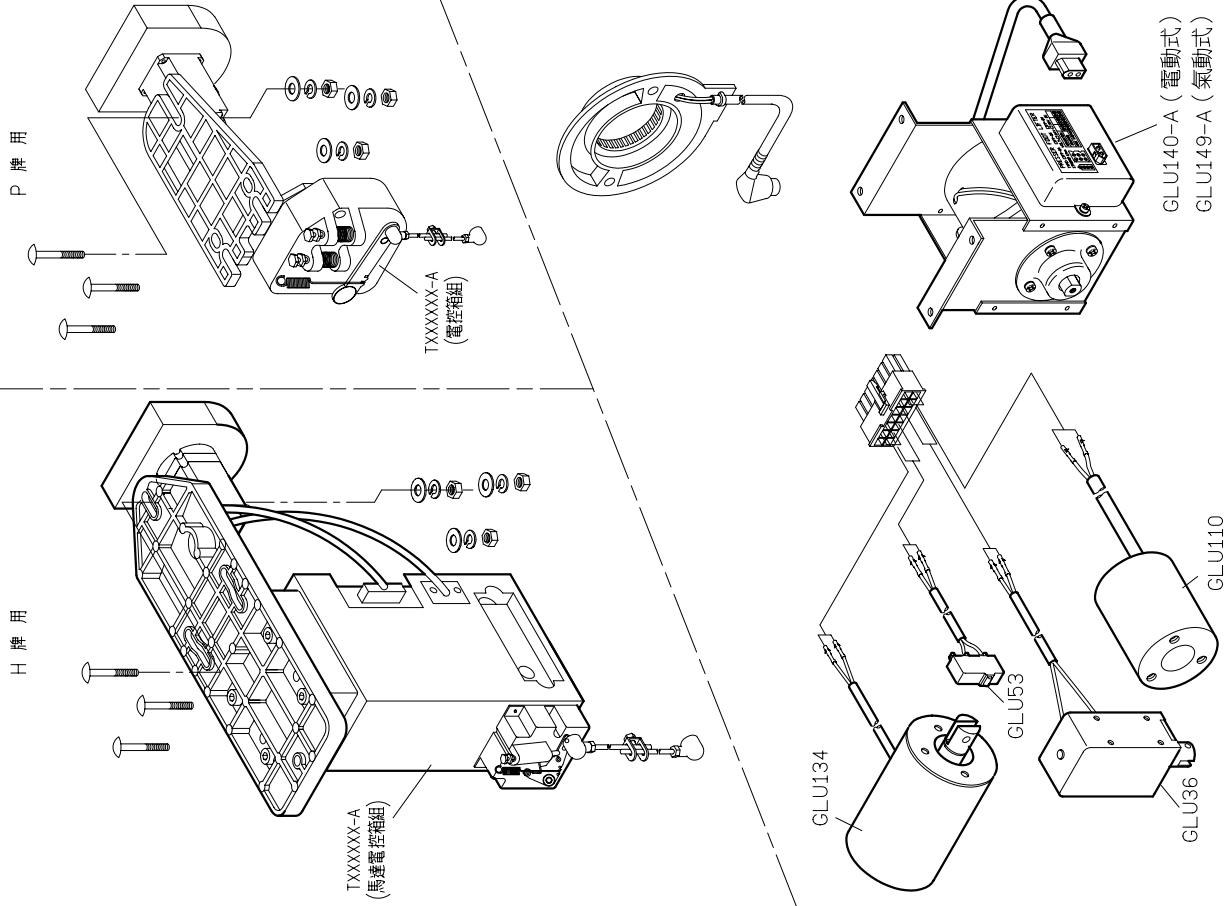


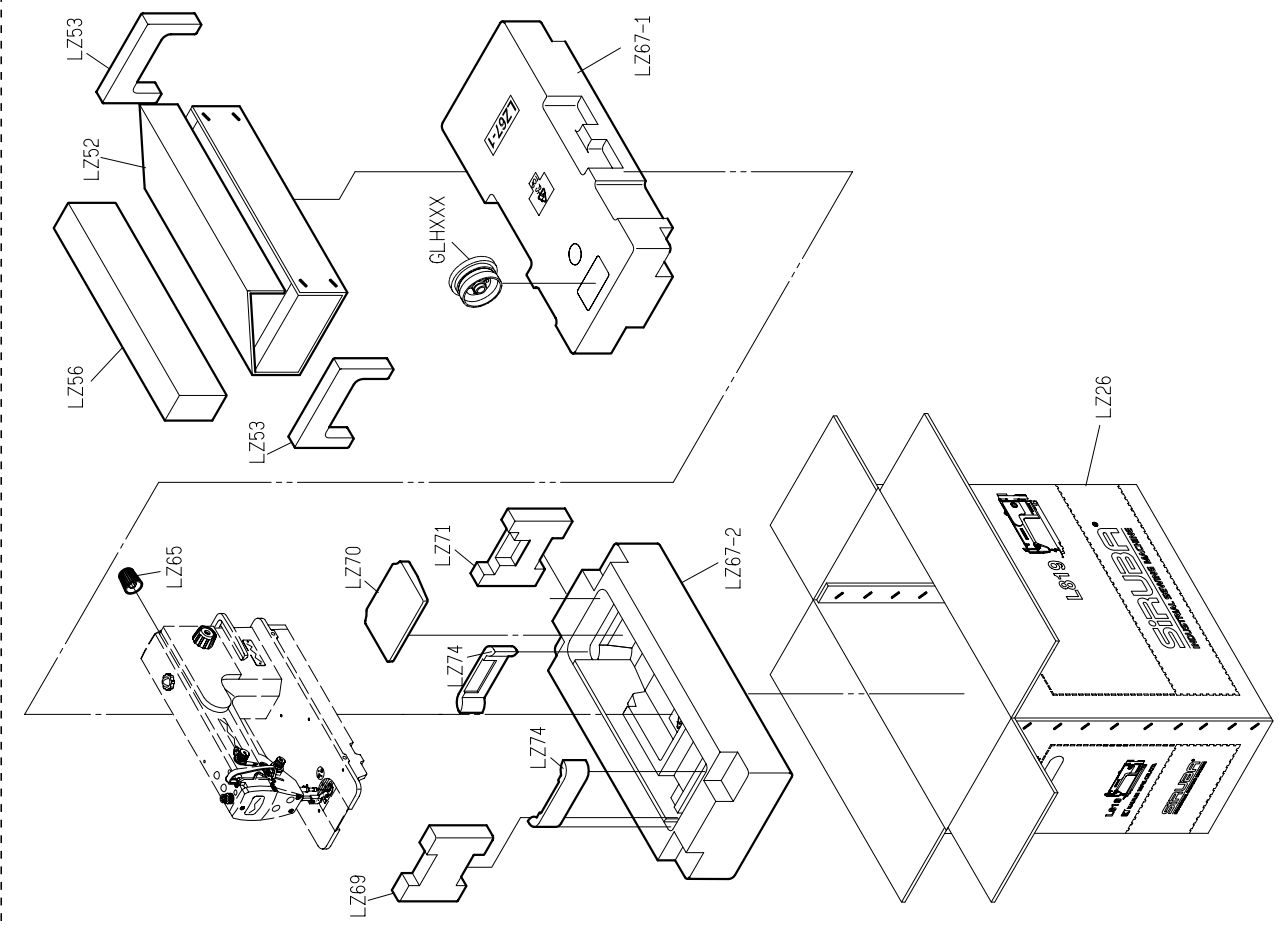
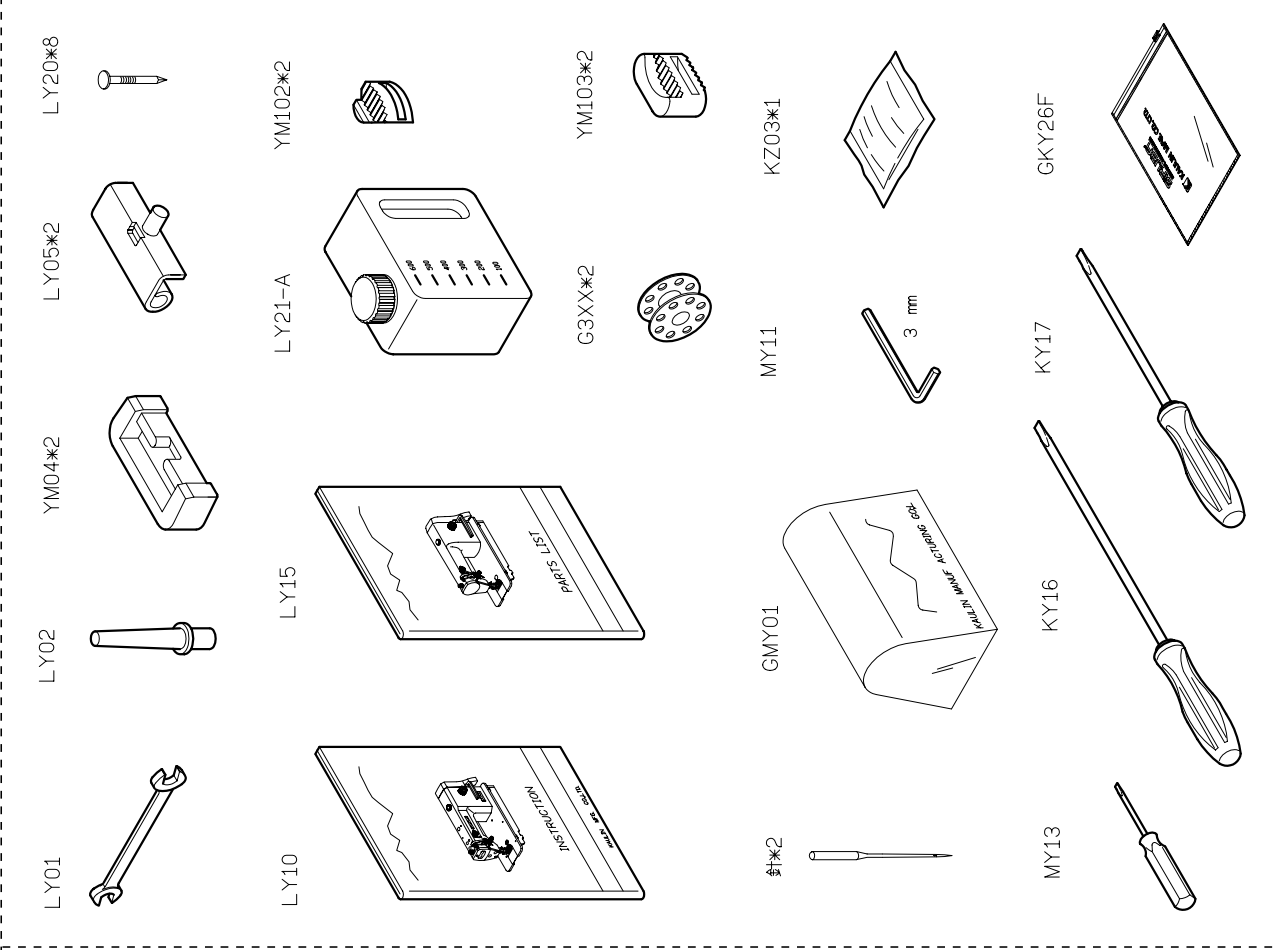
註：此部份置於配件箱內





PARTS LIST FOR LU (5) GROUP in the library of: **Diamond Needle** **PARTS LIST FOR LU (6) GROUP**





PARTS LIST FOR LY GROUP From the library of: **Diamond Needle Co** **PARTS LIST FOR LZ GROUP**



L819

WITH TRIMMER

高林股份有限公司 KAULIN MFG. CO., LTD.

From the library of: Diamond Needle Corp